

GILBERT 500 PC 47/52W 4000K IP54

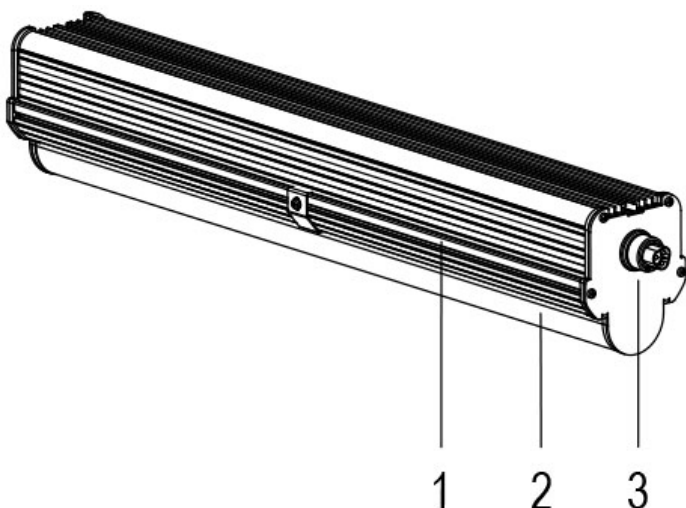
Cod. 9612351664

LED MODULE WITH POLYCARBONATE AND CONNECTOR

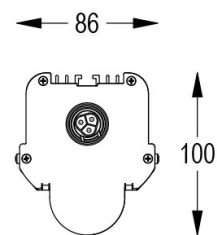
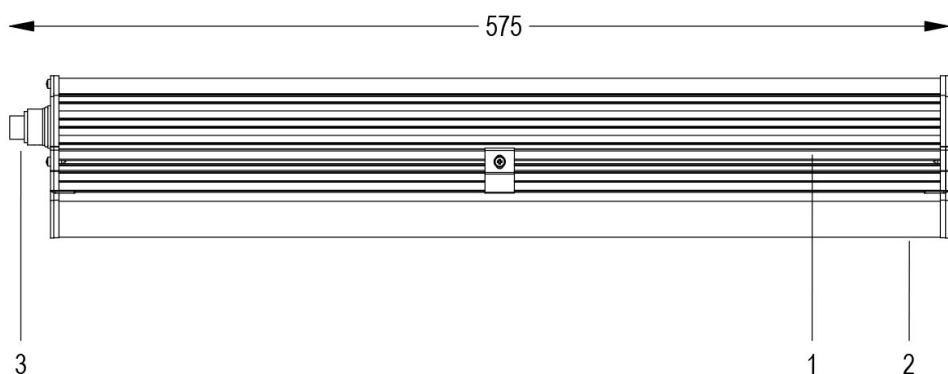
Industrial luminaire, with high-power LED, for indoor and outdoor use, in environments protected from atmospheric conditions, with polycarbonate diffuser screen with high visual comfort. The anodized aluminium body aids maximum cooling efficiency, essential for a long life of the LEDs.

Technical data:

Power supply	220-240 V AC
Consumption	0.21/0.24 @230VAC
Maximum power	47/52 W
Cos phi	>0.95
Electrical insulation class	I
Connection	CONNECTOR
Beam angle	120°
Number of LEDs	96
CCT colour temperature	4000K
Luminaire luminous flux	6283/7015 lm
Colour rendering	CRI>80
Body	ANODIZED ALUMINIUM
Weight	1.6 kg
IP protection rating	54
Working position	SUSPENSION
Cooling system	NATURAL CONVECTION
Ambient temperature limits	-20°C/+40°C
Markings	CE



- 1 OPTIMIZED COOLING
- 2 POLYCARBONATE DIFFUSER
- 3 QUICK CONNECTOR



06/07/21 - The data in this document may be changed without notice in order to improve the product or to correct any errors.